



Up-to-date Practice Test with Latest Questions and Answers covering latest syllabus and topics of the exam. Makes you ready to face actual exam.



PB0-200 Practice Questions
PB0-200 Practice Test
PB0-200 Practice Exam
PB0-200 Exam Questions
PB0-200 Study Guide



killexams.com

APC

PB0-200

APC NCPI Design

ORDER FULL VERSION

<https://killexams.com/pass4sure/exam-detail/PB0-200>



QUESTION: 106

Click the Exhibit button.

MISSING EXHIBIT

Which UPS topology is shown in the exhibit?

- A. standby
- B. line interactive
- C. standby online hybrid
- D. online double conversion

Answer: D

QUESTION: 107

What physical property of all electrical equipment dictates the amount of cooling it will require?

- A. size of printed circuit boards
- B. weight of electronic components
- C. location of components inside equipment
- D. inefficiency of power and digital components

Answer: D

QUESTION: 108

What is current?

- A. the flow of electrons through a conductor
- B. the potential difference between two points
- C. the capability of a conductor to store a charge
- D. the amount of voltage flowing through a conductor

Answer: A

QUESTION: 109

Click the Calculator button.

MISSING EXHIBIT

Approximately how much cooling capacity does a 5-ton air conditioner have?

- A. 12kW
- B. 17kW
- C. 20kW
- D. 60kW

Answer: B

QUESTION: 110
What is TVSS?

- A. Transient Voltage Static Switch
- B. Terminal Voltage Surge Suppression
- C. Transient Voltage Surge Suppression
- D. Transient Variable Surge Suppression

Answer: C

QUESTION: 111

If a rack-mount PDU is accidentally overloaded, which device activates and isolates the electric power to the outlets?

- A. TVSS
- B. transformer
- C. circuit breaker
- D. Automatic Transfer Switch

Answer: C

QUESTION: 112

Which type of air conditioning system generally has the lowest initial cost for the entire system?

- A. air cooled
- B. chilled water
- C. water cooled
- D. glycol cooled

Answer: A

QUESTION: 113

What is one advantage of using precision cooling rather than comfort cooling?

- A. No humidity control is required.
- B. Reheat is available to increase humidity.
- C. Temperature control is within +/- 0.5 degree Celsius (+/- 1 degree Fahrenheit).
- D. Temperature control is within +/- 3 degrees Celsius (+/- 5 degrees Fahrenheit).

Answer: C

QUESTION: 114

What is the correct formula to calculate Apparent Power (VA)?

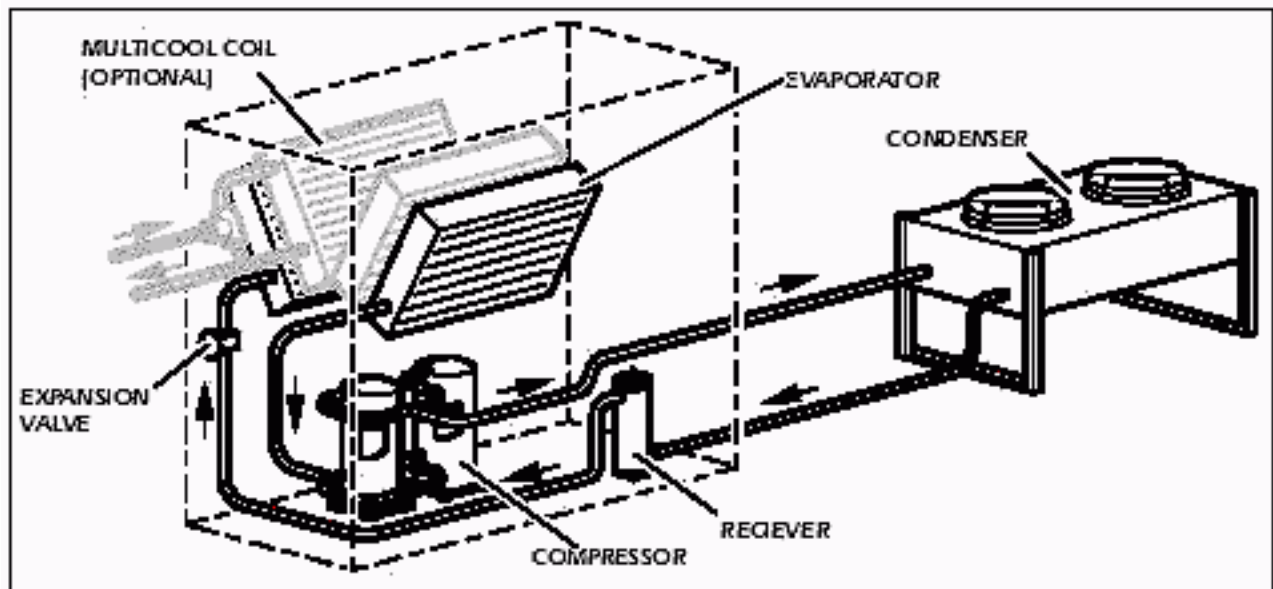
- A. Power (Apparent) = Voltage x Current
- B. Power (Apparent) = Current x Resistance
- C. Power (Apparent) = Voltage x Resistance
- D. Power (Apparent) = Voltage x Capacitance

Answer: A

QUESTION: 115

Click the Exhibit button.

What type of system is shown?



- A. air cooled
- B. water cooled
- C. glycol cooled
- D. remote condensing

Answer: A

Killexams.com is a leading online platform specializing in high-quality certification exam preparation. Offering a robust suite of tools, including Exam Questions, practice tests, and advanced test engines, Killexams.com empowers candidates to excel in their certification exams. Discover the key features that make Killexams.com the go-to choice for exam success.



Practice Exam Questions Based on Current Exam Objectives

Killexams.com provides practice exam questions aligned with the latest official exam objectives and latest syllabus. Our content is reviewed and updated regularly to reflect recent changes announced by certification vendors. By studying these practice questions, candidates will cover the structure, difficulty level, and topics of the actual exam, helping them prepare more effectively and efficiently.

Comprehensive Practice Exams (PDF Format)

Killexams.com offers multiple-choice questions (MCQs) in easy-to-read PDF format, covering all major domains of the exam. Each PDF contains a structured collection of practice questions and verified answers designed to support focused study. These MCQs help candidates reinforce key concepts, identify knowledge gaps, and improve exam readiness through consistent practice.

Realistic Practice Tests (Online Test Engine & Desktop Test Engine)

To support hands-on preparation, Killexams.com provides practice tests through both an Online Test Engine and a Desktop Test Engine. These tools are designed to simulate a real exam environment, allowing candidates to practice under exam-like conditions, with latest syllabus and topics of the exam. Performance tracking, test history, and result analysis help users evaluate their progress and focus on areas that need improvement.

Risk-Free Purchase Policy

Killexams.com follows a transparent and customer-friendly purchase policy. If users are not satisfied with the study materials, they may request assistance or a refund in accordance with our published terms and conditions. This policy reflects our commitment to customer satisfaction, fairness, and confidence in our preparation resources.

Regularly Updated Content

Our practice question bank is reviewed and updated on an ongoing basis to stay aligned with the latest exam outlines and vendor updates. This ensures candidates are studying up-to-date, relevant material, and preparing with content that reflects current exam expectations, helping them stay confident and well-prepared.